



SINGLE BAG

ORDER INFORMATION SHEET

BFN-11

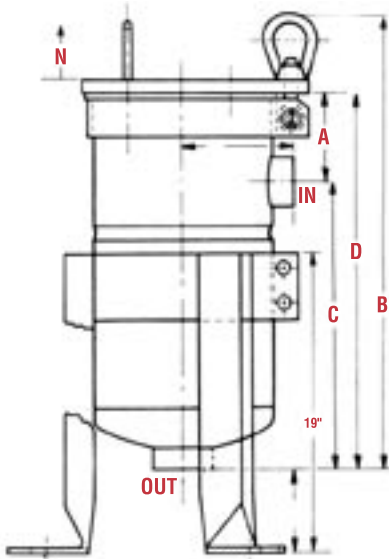
BFN-12

FILTER SPECIALISTS, INC.

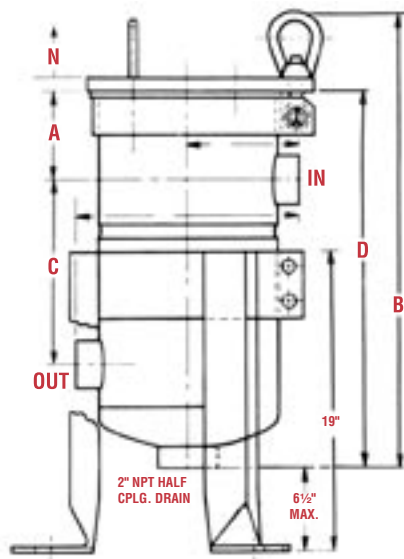
100 Anchor Road P.O. Box 735 (46361) Michigan City, Indiana 46360
219-879-3307 800-348-3205 Fax: 219-877-0632

www.fsifilters.com sales@fsifilters.com

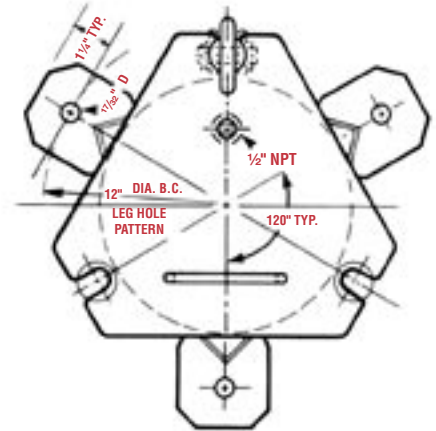
NPT



STYLE 2 NPT FITTINGS
SIDE INLET — BOTTOM OUTLET



STYLE 6 NPT FITTINGS
SIDE INLET — SIDE OUTLET



TOP

BFN-11 (S or P)* Style 2

| NPT | A | B | C | D | E | N |
|---------------------------------|---------------------------------|-----------------------------------|-----------------------------------|-----------------------------------|-----------------------------------|-----|
| 1" | 4 ⁵ / ₈ " | 28 ¹ / ₁₆ " | 20 ⁵ / ₁₆ " | 24 ¹ / ₁₆ " | 4 ³ / ₄ " | 16" |
| 1 ¹ / ₂ " | 4 ⁵ / ₈ " | 28 ¹ / ₁₆ " | 20 ⁷ / ₁₆ " | 25 ¹ / ₁₆ " | 4 ¹ / ₁₆ " | 16" |
| 2" | 4 ⁵ / ₈ " | 28 ¹ / ₁₆ " | 20 ⁷ / ₁₆ " | 25 ¹ / ₁₆ " | 4 ¹ / ₁₆ " | 16" |
| 2 ¹ / ₂ " | 4 ⁷ / ₈ " | 28 ¹ / ₁₆ " | 20 ³ / ₁₆ " | 25 ¹ / ₁₆ " | 4 ¹ / ₁₆ " | 16" |
| 3" | 5 ¹ / ₄ " | 31 ¹ / ₁₆ " | 22 ¹ / ₁₆ " | 27 ¹ / ₁₆ " | 27 ¹ / ₁₆ " | 16" |
| 4" | 5 ³ / ₄ " | 31 ¹ / ₁₆ " | 22 ⁷ / ₁₆ " | 28 ³ / ₁₆ " | 28 ³ / ₁₆ " | 16" |

BFN-11 (S or P)* Style 6**

| NPT | A | B | C | D | E | F | N |
|---------------------------------|---------------------------------|-----------------------------------|----------------------------------|-----------------------------------|----------------------------------|----------------------------------|-----|
| 1" | 4 ⁵ / ₈ " | 28 ¹ / ₁₆ " | 14 ¹ / ₄ " | 25 ¹ / ₁₆ " | 4 ⁷ / ₈ " | 9 ³ / ₄ " | 16" |
| 1 ¹ / ₂ " | 4 ⁵ / ₈ " | 28 ¹ / ₁₆ " | 14 ¹ / ₄ " | 25 ¹ / ₁₆ " | 4 ¹ / ₁₆ " | 9 ¹ / ₁₆ " | 16" |
| 2" | 4 ⁵ / ₈ " | 28 ¹ / ₁₆ " | 14 ¹ / ₄ " | 25 ¹ / ₁₆ " | 4 ¹ / ₁₆ " | 9 ¹ / ₁₆ " | 16" |
| 2 ¹ / ₂ " | 4 ⁷ / ₈ " | 28 ¹ / ₁₆ " | 14 ¹ / ₄ " | 25 ¹ / ₁₆ " | 4 ¹ / ₁₆ " | 9 ¹ / ₁₆ " | 16" |
| 3" | 5 ¹ / ₄ " | 30 ⁹ / ₁₆ " | 14 ¹ / ₄ " | 26 ¹ / ₁₆ " | 6 ¹ / ₁₆ " | 12 ¹ / ₈ " | 16" |
| 4" | 5 ³ / ₄ " | 30 ⁹ / ₁₆ " | 14 ¹ / ₄ " | 26 ¹ / ₁₆ " | 6 ⁵ / ₁₆ " | 12 ⁵ / ₈ " | 16" |

BFN-12 (S or P)* Style 2

| NPT | A | B | C | D | E | N |
|---------------------------------|---------------------------------|-----------------------------------|-----------------------------------|-----------------------------------|----------------------------------|-----|
| 1" | 4 ⁵ / ₈ " | 43 ⁹ / ₁₆ " | 34 ¹ / ₁₆ " | 39 ⁷ / ₁₆ " | 4 ³ / ₄ " | 30" |
| 1 ¹ / ₂ " | 4 ⁵ / ₈ " | 43 ⁹ / ₁₆ " | 34 ¹ / ₁₆ " | 39 ⁹ / ₁₆ " | 4 ¹ / ₁₆ " | 30" |
| 2" | 4 ⁵ / ₈ " | 43 ⁹ / ₁₆ " | 34 ¹ / ₁₆ " | 39 ⁹ / ₁₆ " | 4 ¹ / ₁₆ " | 30" |
| 2 ¹ / ₂ " | 4 ⁷ / ₈ " | 43 ⁹ / ₁₆ " | 34 ¹ / ₁₆ " | 39 ⁹ / ₁₆ " | 4 ¹ / ₁₆ " | 30" |
| 3" | 5 ¹ / ₄ " | 46 ³ / ₁₆ " | 37 ³ / ₁₆ " | 42 ⁷ / ₁₆ " | 6 ¹ / ₁₆ " | 30" |
| 4" | 5 ¹ / ₄ " | 46 ⁷ / ₁₆ " | 36 ¹ / ₁₆ " | 42 ¹ / ₁₆ " | 6 ⁵ / ₁₆ " | 30" |

BFN-12 (S or P)* Style 6**

| NPT | A | B | C | D | E | F | N |
|---------------------------------|---------------------------------|-----------------------------------|----------------------------------|-----------------------------------|----------------------------------|----------------------------------|-----|
| 1" | 4 ⁵ / ₈ " | 43 ⁹ / ₁₆ " | 28 ³ / ₄ " | 39 ⁹ / ₁₆ " | 4 ⁷ / ₈ " | 9 ³ / ₄ " | 30" |
| 1 ¹ / ₂ " | 4 ⁵ / ₈ " | 43 ⁹ / ₁₆ " | 28 ³ / ₄ " | 39 ⁹ / ₁₆ " | 4 ¹ / ₁₆ " | 9 ¹ / ₁₆ " | 30" |
| 2" | 4 ⁵ / ₈ " | 43 ⁹ / ₁₆ " | 28 ³ / ₄ " | 39 ⁹ / ₁₆ " | 4 ¹ / ₁₆ " | 9 ¹ / ₁₆ " | 30" |
| 2 ¹ / ₂ " | 4 ⁷ / ₈ " | 43 ⁹ / ₁₆ " | 28 ³ / ₄ " | 39 ⁹ / ₁₆ " | 4 ¹ / ₁₆ " | 9 ¹ / ₁₆ " | 30" |
| 3" | 5 ¹ / ₄ " | 45 ¹ / ₁₆ " | 28 ³ / ₄ " | 41 ⁵ / ₁₆ " | 6 ¹ / ₁₆ " | 12 ¹ / ₈ " | 30" |
| 4" | 5 ³ / ₄ " | 45 ¹ / ₁₆ " | 28 ³ / ₄ " | 41 ⁵ / ₁₆ " | 6 ⁵ / ₁₆ " | 12 ⁵ / ₈ " | 30" |

*S = Snap Ring
P = Polyloc®

Note: Designed to ASME Code. UM Stamp available as an option.

**Dimension C can be varied on Style 6.

ORDER INFORMATION

Check appropriate boxes

Design Pressure: 100 PSIG 150 PSIG Other

Design Temperature (F°): Max _____ Min _____

Construction Material: Carbon Steel 304 Stainless Steel 316 Stainless Steel Other _____

Basket Materials: 304 Stainless Steel (Standard) 316 Stainless Steel Other _____

Gasket Material: BUNA N (Standard) Viton Neoprene EPDM Teflon Encapsulated Other _____

Lifting Mechanism: Hinge is standard



SINGLE BAG

ORDER INFORMATION SHEET

BFN-11

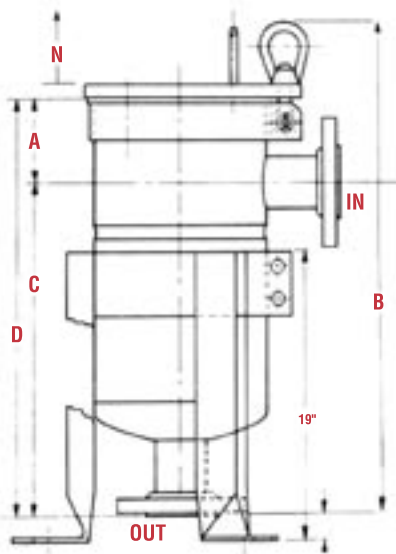
BFN-12

FILTER SPECIALISTS, INC.

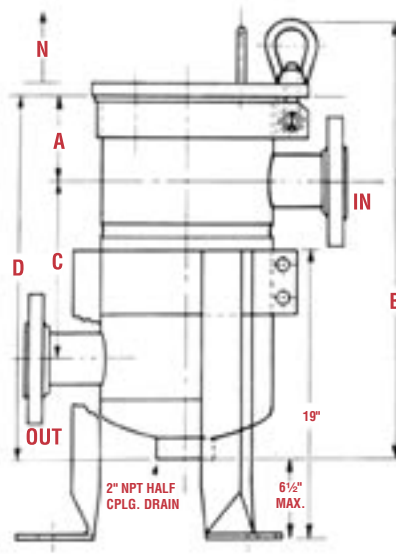
100 Anchor Road P.O. Box 735 (46361) Michigan City, Indiana 46360
219-879-3307 800-348-3205 Fax: 219-877-0632

www.fsifilters.com sales@fsifilters.com

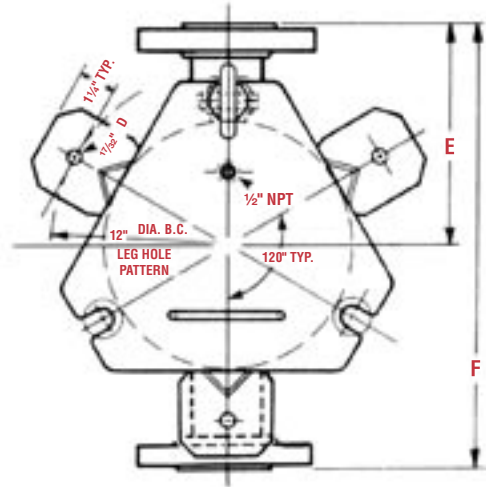
FLANGE



STYLE 2 FLANGE FITTINGS
SIDE INLET — BOTTOM OUTLET



STYLE 6 FLANGE FITTINGS
SIDE INLET — SIDE OUTLET



TOP

BFN-11 (S or P)* Style 2**

| FLG | A | B | C | D | E | N |
|---------------------------------|---------------------------------|----------------------------------|----------------------------------|----------------------------------|---------------------------------|-----|
| 1" | 4 ⁵ / ₈ " | 30 ¹ / ₂ " | 22 ³ / ₄ " | 27 ³ / ₈ " | 8 ¹ / ₄ " | 16" |
| 1 ¹ / ₂ " | 4 ⁵ / ₈ " | 30 ¹ / ₂ " | 22 ³ / ₄ " | 27 ³ / ₈ " | 8 ¹ / ₄ " | 16" |
| 2" | 4 ⁵ / ₈ " | 30 ¹ / ₂ " | 22 ³ / ₄ " | 27 ³ / ₈ " | 8 ¹ / ₄ " | 16" |
| 2 ¹ / ₂ " | 4 ⁷ / ₈ " | 30 ¹ / ₂ " | 22 ¹ / ₂ " | 27 ³ / ₈ " | 8 ¹ / ₄ " | 16" |
| 3" | 5 ¹ / ₄ " | 32 ¹ / ₄ " | 23 ⁷ / ₈ " | 29 ¹ / ₈ " | 8 ¹ / ₄ " | 16" |
| 4" | 5 ³ / ₄ " | 33 ¹ / ₂ " | 24 ¹ / ₈ " | 29 ¹ / ₈ " | 8 ¹ / ₄ " | 16" |

BFN-11 (S or P)* Style 6**

| FLG | A | B | C | D | E | F | N |
|---------------------------------|---------------------------------|----------------------------------|----------------------------------|------------------------------------|---------------------------------|----------------------------------|-----|
| 1" | 4 ⁵ / ₈ " | 28 ³ / ₄ " | 14 ¹ / ₄ " | 25 ¹ / ₁₆ " | 8 ¹ / ₄ " | 16 ¹ / ₂ " | 16" |
| 1 ¹ / ₂ " | 4 ⁵ / ₈ " | 28 ³ / ₄ " | 14 ¹ / ₄ " | 25 ¹ / ₁₆ " | 8 ¹ / ₄ " | 16 ¹ / ₂ " | 16" |
| 2" | 4 ⁵ / ₈ " | 28 ³ / ₄ " | 14 ¹ / ₄ " | 25 ¹ / ₁₆ " | 8 ¹ / ₄ " | 16 ¹ / ₂ " | 16" |
| 2 ¹ / ₂ " | 4 ⁷ / ₈ " | 28 ³ / ₄ " | 14 ¹ / ₄ " | 25 ¹ / ₁₆ " | 8 ¹ / ₄ " | 16 ¹ / ₂ " | 16" |
| 3" | 5 ¹ / ₄ " | 30 ⁷ / ₈ " | 14 ¹ / ₄ " | 26 ¹³ / ₁₆ " | 8 ¹ / ₄ " | 16 ¹ / ₂ " | 16" |
| 4" | 5 ³ / ₄ " | 30 ⁷ / ₈ " | 14 ¹ / ₄ " | 26 ¹³ / ₁₆ " | 8 ¹ / ₄ " | 16 ¹ / ₂ " | 16" |

BFN-12 (S or P)* Style 2**

| FLG | A | B | C | D | E | N |
|---------------------------------|---------------------------------|----------------------------------|----------------------------------|----------------------------------|---------------------------------|-----|
| 1" | 4 ⁵ / ₈ " | 45" | 37 ¹ / ₄ " | 41 ⁷ / ₈ " | 8 ¹ / ₄ " | 30" |
| 1 ¹ / ₂ " | 4 ⁵ / ₈ " | 45" | 37 ¹ / ₄ " | 41 ⁷ / ₈ " | 8 ¹ / ₄ " | 30" |
| 2" | 4 ⁵ / ₈ " | 45" | 37 ¹ / ₄ " | 41 ⁷ / ₈ " | 8 ¹ / ₄ " | 30" |
| 2 ¹ / ₂ " | 4 ⁷ / ₈ " | 46 ³ / ₄ " | 38 ³ / ₄ " | 43 ⁵ / ₈ " | 8 ¹ / ₄ " | 30" |
| 3" | 5 ¹ / ₄ " | 46 ³ / ₄ " | 38 ³ / ₈ " | 43 ⁵ / ₈ " | 8 ¹ / ₄ " | 30" |
| 4" | 5 ³ / ₄ " | 48" | 38 ⁵ / ₈ " | 44 ³ / ₈ " | 8 ¹ / ₄ " | 30" |

BFN-12 (S or P)* Style 6**

| FLG | A | B | C | D | E | F | N |
|---------------------------------|---------------------------------|----------------------------------|----------------------------------|-----------------------------------|---------------------------------|----------------------------------|-----|
| 1" | 4 ⁵ / ₈ " | 43 ¹ / ₄ " | 28 ³ / ₄ " | 39 ⁹ / ₁₆ " | 8 ¹ / ₄ " | 16 ¹ / ₂ " | 30" |
| 1 ¹ / ₂ " | 4 ⁵ / ₈ " | 43 ¹ / ₄ " | 28 ³ / ₄ " | 39 ⁹ / ₁₆ " | 8 ¹ / ₄ " | 16 ¹ / ₂ " | 30" |
| 2" | 4 ⁵ / ₈ " | 43 ¹ / ₄ " | 28 ³ / ₄ " | 39 ⁹ / ₁₆ " | 8 ¹ / ₄ " | 16 ¹ / ₂ " | 30" |
| 2 ¹ / ₂ " | 4 ⁷ / ₈ " | 43 ¹ / ₄ " | 28 ³ / ₄ " | 39 ⁹ / ₁₆ " | 8 ¹ / ₄ " | 16 ¹ / ₂ " | 30" |
| 3" | 5 ¹ / ₄ " | 45 ³ / ₈ " | 28 ³ / ₄ " | 41 ⁵ / ₁₆ " | 8 ¹ / ₄ " | 16 ¹ / ₂ " | 30" |
| 4" | 5 ³ / ₄ " | 45 ³ / ₈ " | 28 ³ / ₄ " | 41 ⁵ / ₁₆ " | 8 ¹ / ₄ " | 16 ¹ / ₂ " | 30" |

*S = Snap Ring
P = Polyloc®

Note: Designed to ASME Code. UM Stamp available as an option.

**Dimension C can be varied on Style 6.

ORDER INFORMATION Check appropriate boxes

Design Pressure: 150 PSIG

Design Temperature (F°): Max _____ Min _____

Construction Material: Carbon Steel 304 Stainless Steel 316 Stainless Steel Other _____

Basket Materials: 304 Stainless Steel (Standard) 316 Stainless Steel Other _____

Gasket Material: BUNA N (Standard) Viton Neoprene EPDM Teflon Encapsulated Other _____

Lifting Mechanism: Hinge is standard