



# SINGLE BAG

## ORDER INFORMATION SHEET

FSPN20

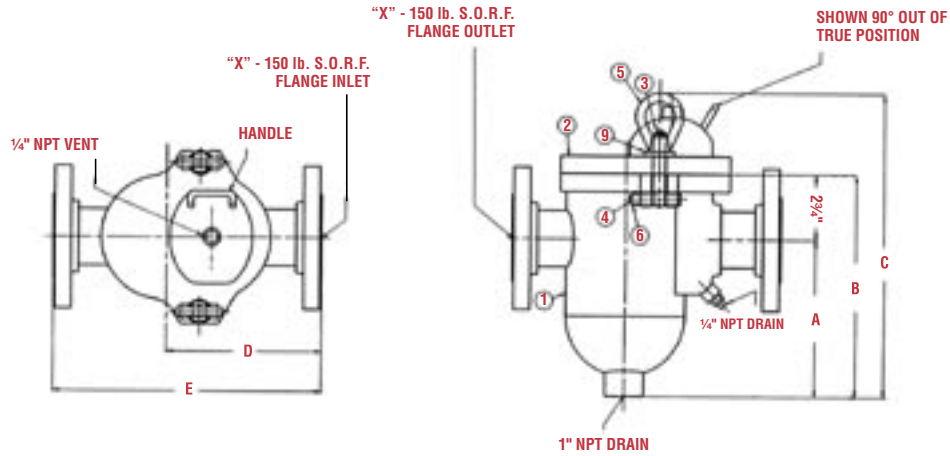
FILTER SPECIALISTS, INC.

100 Anchor Road P.O. Box 735 (46361) Michigan City, Indiana 46360  
 219-879-3307 800-348-3205 Fax: 219-877-0632

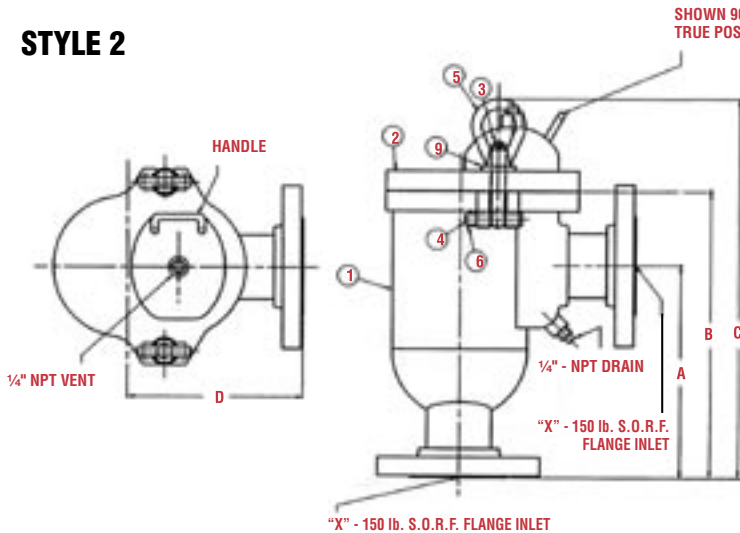
www.fsifilters.com sales@fsifilters.com

FLANGE

### STYLE 1



### STYLE 2



- NOTES:
- 1) Design: ASME Code Section VIII, Div. 1, U or UM Stamp, available on request.
  - 2) Custom-designed models of these units can be provided for most operating requirements on special order.
  - 3) Flow rate is dependant on type of media, particle selection required, fluid viscosity and volume of contamination.

C.S. & S.S.	STYLE 1 A	STYLE 2 A	STYLE 1 B	STYLE 2 B	STYLE 1 C	STYLE 2 C	STYLE 1 D	STYLE 2 D	STYLE 1 E
2" FLG	6 <sup>9</sup> / <sub>16</sub> "	7 <sup>7</sup> / <sub>8</sub> "	9 <sup>5</sup> / <sub>16</sub> "	10 <sup>5</sup> / <sub>8</sub> "	12 <sup>3</sup> / <sub>4</sub> "	14 <sup>1</sup> / <sub>16</sub> "	6 <sup>1</sup> / <sub>2</sub> "	6 <sup>1</sup> / <sub>2</sub> "	11 <sup>1</sup> / <sub>4</sub> "
1 <sup>1</sup> / <sub>2</sub> " FLG	6 <sup>9</sup> / <sub>16</sub> "	7 <sup>15</sup> / <sub>16</sub> "	9 <sup>5</sup> / <sub>16</sub> "	10 <sup>11</sup> / <sub>16</sub> "	12 <sup>3</sup> / <sub>4</sub> "	14 <sup>1</sup> / <sub>8</sub> "	6 <sup>7</sup> / <sub>16</sub> "	6 <sup>7</sup> / <sub>16</sub> "	11 <sup>1</sup> / <sub>4</sub> "
1 <sup>1</sup> / <sub>4</sub> " FLG	6 <sup>9</sup> / <sub>16</sub> "	7 <sup>13</sup> / <sub>16</sub> "	9 <sup>5</sup> / <sub>16</sub> "	10 <sup>9</sup> / <sub>16</sub> "	12 <sup>3</sup> / <sub>4</sub> "	14"	6 <sup>1</sup> / <sub>4</sub> "	6 <sup>1</sup> / <sub>4</sub> "	10 <sup>7</sup> / <sub>8</sub> "
1" FLG	6 <sup>9</sup> / <sub>16</sub> "	7 <sup>13</sup> / <sub>16</sub> "	9 <sup>5</sup> / <sub>16</sub> "	10 <sup>9</sup> / <sub>16</sub> "	12 <sup>3</sup> / <sub>4</sub> "	14"	6 <sup>3</sup> / <sub>16</sub> "	6 <sup>3</sup> / <sub>16</sub> "	10 <sup>7</sup> / <sub>8</sub> "
3/4" FLG	6 <sup>9</sup> / <sub>16</sub> "	7 <sup>11</sup> / <sub>16</sub> "	9 <sup>5</sup> / <sub>16</sub> "	10 <sup>7</sup> / <sub>16</sub> "	12 <sup>3</sup> / <sub>4</sub> "	13 <sup>7</sup> / <sub>8</sub> "	6 <sup>1</sup> / <sub>16</sub> "	6 <sup>1</sup> / <sub>16</sub> "	10 <sup>5</sup> / <sub>8</sub> "

## ORDER INFORMATION Check appropriate boxes

Design Pressure:  150 PSIG  Other

Design Temperature (F°):  Max \_\_\_\_\_ Min \_\_\_\_\_

Construction Material:  Carbon Steel  304 Stainless Steel  316 Stainless Steel  Other \_\_\_\_\_

Basket Materials:  304 Stainless Steel (Standard)  316 Stainless Steel  Other \_\_\_\_\_

Gasket Material:  BUNA N (Standard)  Viton  Neoprene  EPR  Teflon Encapsulated  Other \_\_\_\_\_



# SINGLE BAG

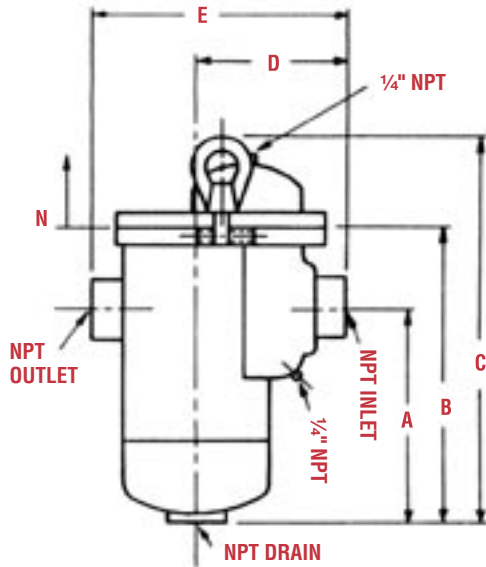
## ORDER INFORMATION SHEET

FSPN20

FILTER SPECIALISTS, INC.

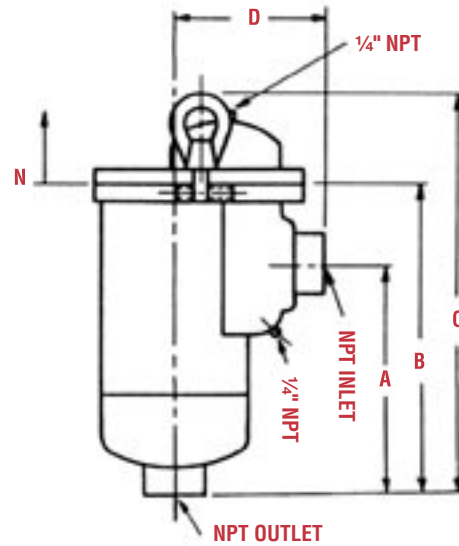
100 Anchor Road P.O. Box 735 (46361) Michigan City, Indiana 46360  
 219-879-3307 800-348-3205 Fax: 219-877-0632 [www.fsifilters.com](http://www.fsifilters.com) [sales@fsifilters.com](mailto:sales@fsifilters.com)

NPT



**STYLE 1** INLINE CONSTRUCTION WITH 1" NPT DRAIN STANDARD

OPTIONAL DRAIN SIZES AVAILABLE



**STYLE 2** SIDE INLET BOTTOM OUTLET

STYLE 1 C.S.	A	B	C	D	E	N MINIMUM CLEARANCE TO REMOVE BAGS
2" NPT	6 <sup>7</sup> / <sub>16</sub> "	9 <sup>3</sup> / <sub>16</sub> "	12 <sup>5</sup> / <sub>8</sub> "	5 <sup>1</sup> / <sub>4</sub> "	8 <sup>1</sup> / <sub>2</sub> "	9"
1 <sup>1</sup> / <sub>2</sub> " NPT	6 <sup>7</sup> / <sub>16</sub> "	9 <sup>3</sup> / <sub>16</sub> "	12 <sup>5</sup> / <sub>8</sub> "	5 <sup>1</sup> / <sub>16</sub> "	8 <sup>1</sup> / <sub>8</sub> "	9"
1 <sup>1</sup> / <sub>4</sub> " NPT	6 <sup>7</sup> / <sub>16</sub> "	9 <sup>3</sup> / <sub>16</sub> "	12 <sup>5</sup> / <sub>8</sub> "	5"	8"	9"
1" NPT	6 <sup>7</sup> / <sub>16</sub> "	9 <sup>3</sup> / <sub>16</sub> "	12 <sup>5</sup> / <sub>8</sub> "	4 <sup>7</sup> / <sub>8</sub> "	8"	9"
3/4" NPT	6 <sup>7</sup> / <sub>16</sub> "	9 <sup>3</sup> / <sub>16</sub> "	12 <sup>5</sup> / <sub>8</sub> "	4 <sup>13</sup> / <sub>16</sub> "	7 <sup>3</sup> / <sub>4</sub> "	9"

STYLE 2 S.S. & C.S.	A	B	C	D	N MINIMUM CLEARANCE TO REMOVE BAGS
2" NPT	6 <sup>1</sup> / <sub>16</sub> "	9 <sup>7</sup> / <sub>16</sub> "	12 <sup>7</sup> / <sub>8</sub> "	5 <sup>1</sup> / <sub>4</sub> "	9"
1 <sup>1</sup> / <sub>2</sub> " NPT	6 <sup>1</sup> / <sub>16</sub> "	9 <sup>7</sup> / <sub>16</sub> "	12 <sup>7</sup> / <sub>8</sub> "	5 <sup>1</sup> / <sub>16</sub> "	9"
1 <sup>1</sup> / <sub>4</sub> " NPT	6 <sup>9</sup> / <sub>16</sub> "	9 <sup>7</sup> / <sub>16</sub> "	12 <sup>7</sup> / <sub>8</sub> "	5"	9"
1" NPT	6 <sup>1</sup> / <sub>2</sub> "	9 <sup>7</sup> / <sub>16</sub> "	12 <sup>7</sup> / <sub>8</sub> "	4 <sup>7</sup> / <sub>8</sub> "	9"
3/4" NPT	6 <sup>7</sup> / <sub>16</sub> "	9 <sup>7</sup> / <sub>16</sub> "	12 <sup>7</sup> / <sub>8</sub> "	4 <sup>13</sup> / <sub>16</sub> "	9"

STYLE 1 S.S.	A	B	C	D	E	N MINIMUM CLEARANCE TO REMOVE BAGS
2" NPT	6 <sup>7</sup> / <sub>16</sub> "	9 <sup>3</sup> / <sub>16</sub> "	12 <sup>5</sup> / <sub>8</sub> "	5 <sup>1</sup> / <sub>4</sub> "	8 <sup>1</sup> / <sub>2</sub> "	9"
1 <sup>1</sup> / <sub>2</sub> " NPT	6 <sup>7</sup> / <sub>16</sub> "	9 <sup>3</sup> / <sub>16</sub> "	12 <sup>5</sup> / <sub>8</sub> "	5 <sup>1</sup> / <sub>16</sub> "	8 <sup>5</sup> / <sub>16</sub> "	9"
1 <sup>1</sup> / <sub>4</sub> " NPT	6 <sup>7</sup> / <sub>16</sub> "	9 <sup>3</sup> / <sub>16</sub> "	12 <sup>5</sup> / <sub>8</sub> "	4 <sup>7</sup> / <sub>8</sub> "	8 <sup>1</sup> / <sub>4</sub> "	9"
1" NPT	6 <sup>7</sup> / <sub>16</sub> "	9 <sup>3</sup> / <sub>16</sub> "	12 <sup>5</sup> / <sub>8</sub> "	5"	8"	9"
3/4" NPT	6 <sup>7</sup> / <sub>16</sub> "	9 <sup>3</sup> / <sub>16</sub> "	12 <sup>5</sup> / <sub>8</sub> "	4 <sup>3</sup> / <sub>4</sub> "	7 <sup>7</sup> / <sub>8</sub> "	9"

- NOTES:
- 1) Design: ASME Code Section VIII, Div. 1, U or UM Stamp, available on request.
  - 2) Custom-designed models of these units can be provided for most operating requirements on special order.
  - 3) Flow rate is dependant on type of media, particle selection required, fluid viscosity and volume of contamination.

### ORDER INFORMATION Check appropriate boxes

Design Pressure:  150 PSIG  Other

Design Temperature (F°):  Max \_\_\_\_\_  Min \_\_\_\_\_

Construction Material:  Carbon Steel  304 Stainless Steel  316 Stainless Steel  Other \_\_\_\_\_

Basket Materials:  304 Stainless Steel (Standard)  316 Stainless Steel  Other \_\_\_\_\_

Gasket Material:  BUNA N (Standard)  Viton  Neoprene  EPR  Teflon Encapsulated  Other \_\_\_\_\_