



MULTI-BAG

ORDER INFORMATION SHEET

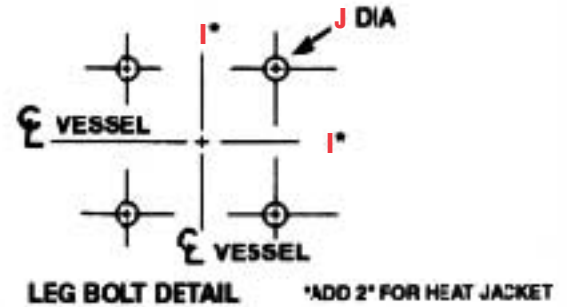
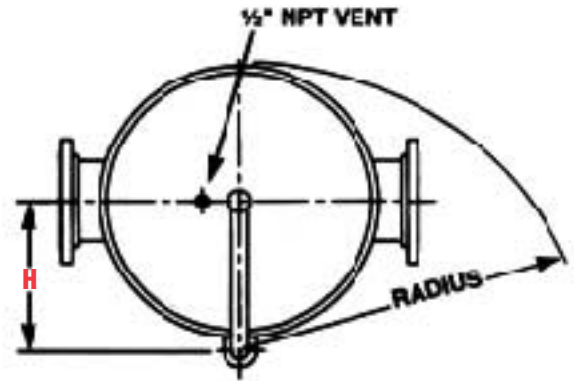
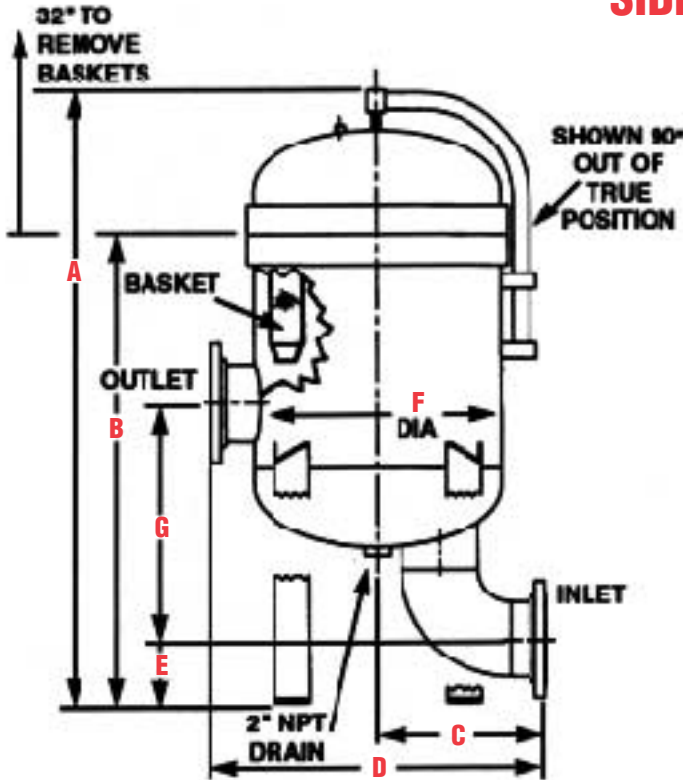
FSPN-1300

FSPN-2000

FILTER SPECIALISTS, INC.

100 Anchor Road P.O. Box 735 (46361) Michigan City, Indiana 46360
 219-879-3307 800-348-3205 Fax: 219-877-0632 www.fsifilters.com

SIDE OUT



Design: ASME Code Section VIII, Div I,
 UM Stamp
 National Board

MODEL	A	B	C	D	E	F	G	H	I	J	RADIUS	NO. BAGS
FSPN-1300-3	67½"	45¾"	16"	32"	4¼"	28"	22"	16¼"	17¾"	1"	34"	7
FSPN-1300-4	70½"	49"	17"	34"	5"	28"	24"	16¼"	17¾"	1"	34"	7
FSPN-1300-6	73¾"	52¾"	20"	40"	6"	28"	26"	16¼"	17¾"	1"	34"	7
FSPN-1300-8	75¼"	53¼"	19"	38"	7¼"	28"	27"	16¼"	17¾"	1"	34"	7
FSPN-2000-4	69"	46½"	18"	36"	5"	30"	24"	17¼"	19½"	1"	35"	8
FSPN-2000-6	72½"	49¾"	20"	40"	6"	30"	26"	17¼"	19½"	1"	35"	8
FSPN-2000-8	73½"	51"	20½"	41"	7¼"	30"	27"	17¼"	19½"	1"	35"	8

Dimensions for reference only. Certified drawings for exact dimensions are available upon request.

ORDER INFORMATION Check appropriate boxes

Design Pressure: 100 PSIG 150 PSIG Other _____

Design Temperature (F°): Max _____ Min _____

Construction Material: Carbon Steel 304 Stainless Steel 316 Stainless Steel Other _____

Basket Materials: 304 Stainless Steel (Standard) 316 Stainless Steel Other _____

Gasket Material: BUNA N (Standard) Viton Neoprene EPR Teflon Encapsulated Other _____

Lifting Mechanism: Hydraulic Hand Crank EZ Open Other _____

Options: Corr. Allowance _____ Coating _____



MULTI-BAG

ORDER INFORMATION SHEET

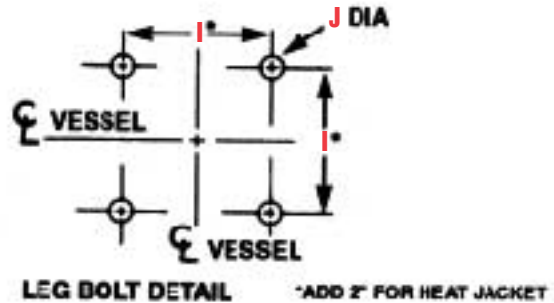
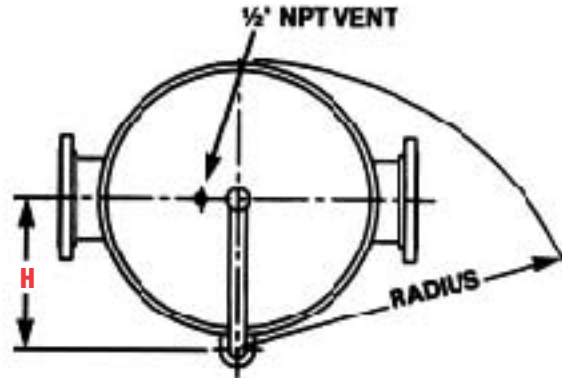
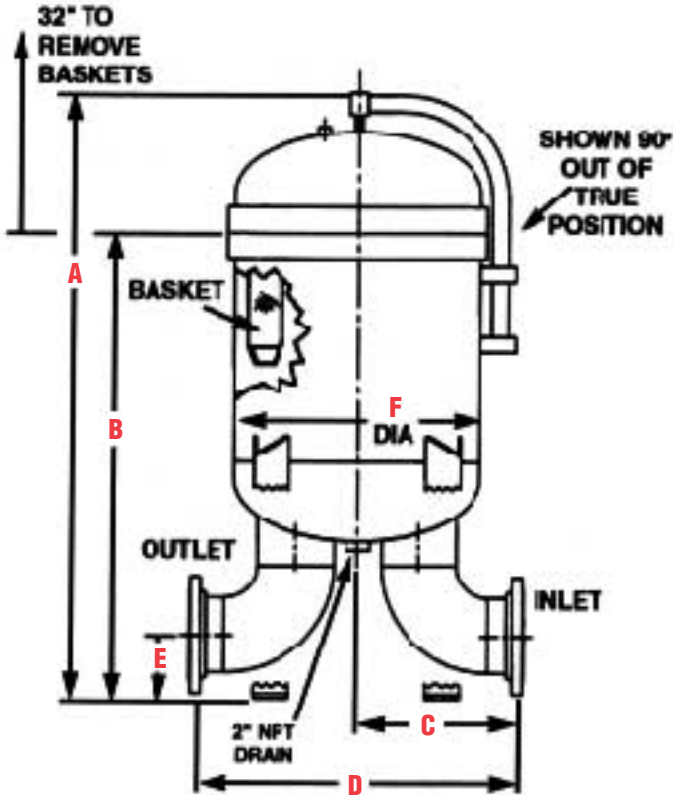
FSPN-1300

FSPN-2000

FILTER SPECIALISTS, INC.

100 Anchor Road P.O. Box 735 (46361) Michigan City, Indiana 46360
 219-879-3307 800-348-3205 Fax: 219-877-0632 www.fsifilters.com

INLINE



Design: ASME Code Section VIII, Div I,
 UM Stamp
 National Board

MODEL	A	B	C	D	E	F	H	I	J	RADIUS	NO. BAGS
FSPN-1300-3	67½"	45¾"	16"	32"	4¼"	28"	16¼"	17¾"	1"	34"	7
FSPN-1300-4	70½"	49"	17"	34"	5"	28"	16¼"	17¾"	1"	34"	7
FSPN-1300-6	73¾"	52¾"	20"	40"	6"	28"	16¼"	17¾"	1"	34"	7
FSPN-1300-8	75¼"	53¼"	19"	38"	7¼"	28"	16¼"	17¾"	1"	34"	7
FSPN-2000-4	69"	46½"	18"	36"	5"	30"	17¼"	19½"	1"	35"	8
FSPN-2000-6	72½"	49¾"	20"	40"	6"	30"	17¼"	19½"	1"	35"	8
FSPN-2000-8	73½"	51"	20½"	41"	7¼"	30"	17¼"	19½"	1"	35"	8

Dimensions for reference only. Certified drawings for exact dimensions are available upon request.

ORDER INFORMATION Check appropriate boxes

Design Pressure: 100 PSIG 150 PSIG Other _____

Design Temperature (°F): Max _____ Min _____

Construction Material: Carbon Steel 304 Stainless Steel 316 Stainless Steel Other _____

Basket Materials: 304 Stainless Steel (Standard) 316 Stainless Steel Other _____

Gasket Material: BUNA N (Standard) Viton Neoprene EPDM Teflon Encapsulated Other _____

Lifting Mechanism: Hydraulic Hand Crank EZ Open Other _____

Options: Corr. Allowance _____ Coating _____