



FILTER SPECIALISTS, INC.

MULTI-BAG

ORDER INFORMATION SHEET

FSPN-2200

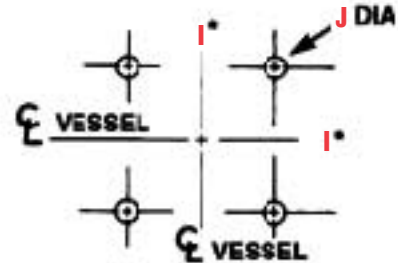
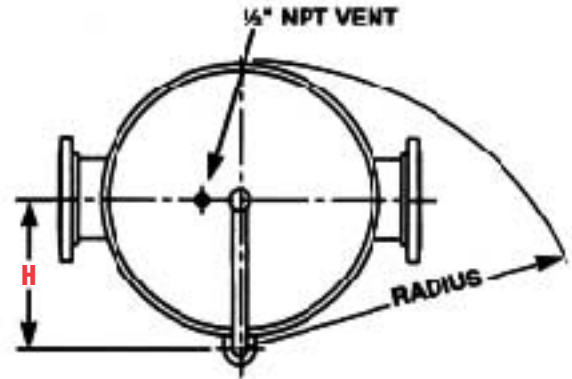
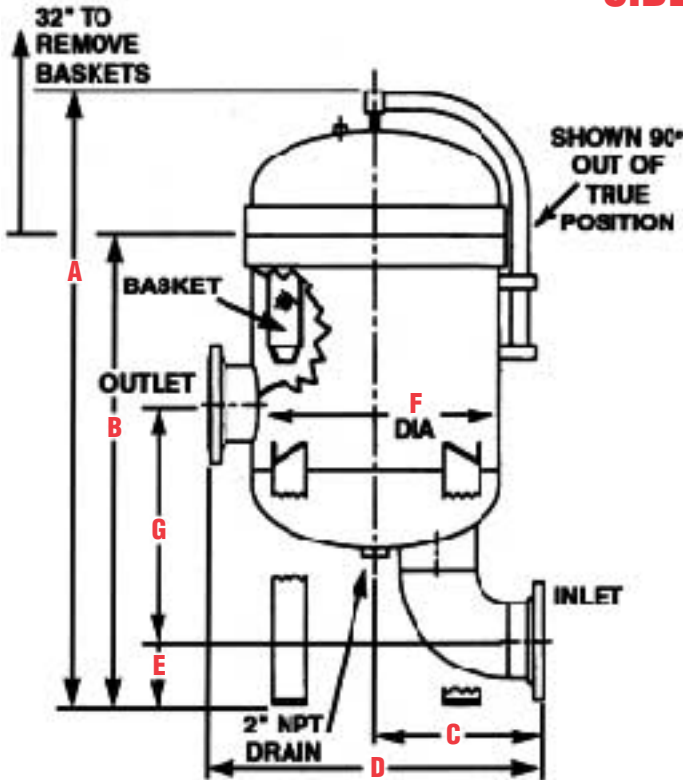
FSPN-2500

FSPN-3000

FSPN-3500

100 Anchor Road P.O. Box 735 (46361) Michigan City, Indiana 46360
219-879-3307 800-348-3205 Fax: 219-877-0632 www.fsifilters.com

SIDE OUT



LEG BOLT DETAIL *ADD 2" FOR HEAT JACKET

Design: ASME Code Section VIII, Div I,
 UM Stamp
 National Board

MODEL	A	B	C	D	E	F	G	H	I	J	RADIUS	NO. BAGS
FSPN-2200-6	74 ¹ / ₄ "	51 ¹ / ₂ "	21"	42"	6"	32"	27"	18 ¹ / ₄ "	20 ³ / ₁₆ "	1"	37"	9
FSPN-2200-8	74 ¹ / ₂ "	51 ³ / ₄ "	20"	41"	7 ¹ / ₄ "	32"	27"	18 ¹ / ₄ "	20 ³ / ₁₆ "	1"	37"	9
FSPN-2500-6	78 ¹ / ₂ "	54"	21"	43"	6"	34"	28"	19 ¹ / ₄ "	22 ⁷ / ₁₆ "	1"	38"	10
FSPN-2500-8	76"	52 ¹ / ₂ "	21 ¹ / ₂ "	45"	7 ¹ / ₄ "	34"	28"	19 ¹ / ₄ "	22 ⁷ / ₁₆ "	1"	38"	10
FSPN-2500-10	80"	57"	23 ¹ / ₂ "	47"	8 ¹ / ₂ "	34"	32"	19 ¹ / ₄ "	22 ⁷ / ₁₆ "	1"	38"	10
FSPN-3000-8	77 ¹ / ₂ "	52 ¹ / ₂ "	21"	45"	7 ¹ / ₄ "	38"	28"	21 ¹ / ₄ "	25"	1"	43"	12
FSPN-3000-10	81"	55 ³ / ₄ "	23"	47"	8 ¹ / ₂ "	38"	32"	21 ¹ / ₄ "	25"	1"	43"	12
FSPN-3500-8	78 ¹ / ₂ "	53"	21"	45"	7 ¹ / ₄ "	38"	28"	21 ¹ / ₄ "	25"	1"	43"	14
FSPN-3500-10	81"	56 ¹ / ₂ "	24"	48"	8 ¹ / ₂ "	38"	32"	21 ¹ / ₄ "	25"	1"	43"	14

Dimensions for reference only. Certified drawings for exact dimensions are available upon request.

ORDER INFORMATION

Check appropriate boxes

Design Pressure: 100 PSIG 150 PSIG Other

Design Temperature (°F): Max _____ Min _____

Construction Material: Carbon Steel 304 Stainless Steel 316 Stainless Steel Other _____

Basket Materials: 304 Stainless Steel (Standard) 316 Stainless Steel Other _____

Gasket Material: BUNA N (Standard) Viton Neoprene EPR Teflon Encapsulated Other _____

Lifting Mechanism: Hydraulic Hand Crank EZ Open Other

Options: Corr. Allowance _____ Coating _____



MULTI-BAG

ORDER INFORMATION SHEET

FSPN-2200

FSPN-2500

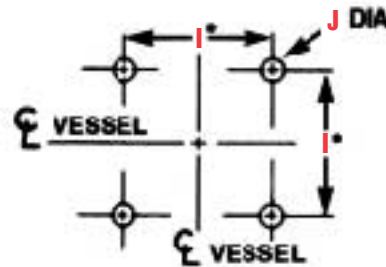
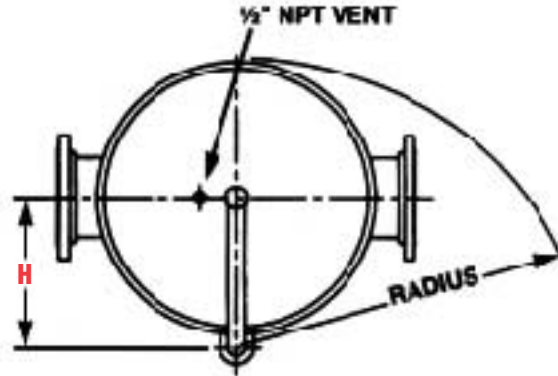
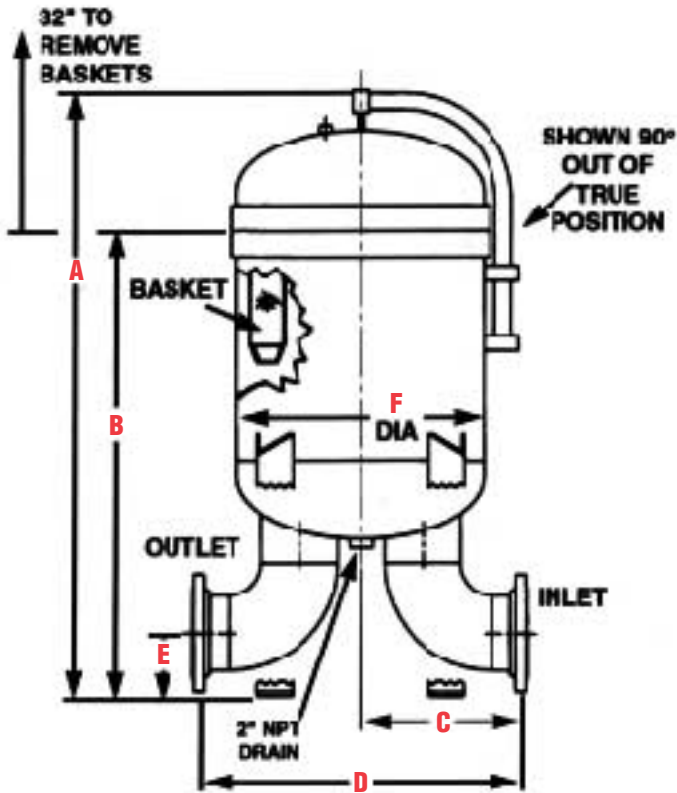
FSPN-3000

FSPN-3500

FILTER SPECIALISTS, INC.

100 Anchor Road P.O. Box 735 (46361) Michigan City, Indiana 46360
219-879-3307 800-348-3205 Fax: 219-877-0632 www.fsifilters.com

INLINE



LEG BOLT DETAIL *ADD 2" FOR HEAT JACKET

Design: ASME Code Section VIII, Div I,
 UM Stamp
 National Board

MODEL	A	B	C	D	E	F	H	I	J	RADIUS	NO. BAGS
FSPN-2200-6	74 1/4"	51 1/2"	21"	42"	6"	32"	18 1/4"	20 5/8"	1"	37"	9
FSPN-2200-8	74 1/2"	51 3/4"	20"	40"	7 1/4"	32"	18 1/4"	20 5/8"	1"	37"	9
FSPN-2500-6	78 1/2"	54"	21"	42"	6"	34"	19 1/4"	22 7/16"	1"	38"	10
FSPN-2500-8	76"	52 1/2"	21"	42"	7 1/4"	34"	19 1/4"	22 7/16"	1"	38"	10
FSPN-2500-10	82 1/2"	57 1/2"	22"	44"	8 1/2"	34"	19 1/4"	22 7/16"	1"	38"	10
FSPN-3000-8	77 1/2"	52 1/2"	21"	42"	7 1/4"	38"	21 1/4"	25"	1"	43"	12
FSPN-3000-10	81"	55 3/4"	23"	46"	8 1/2"	38"	21 1/4"	25"	1"	43"	12
FSPN-3500-8	78 1/2"	53"	21"	42"	7 1/4"	38"	21 1/4"	25"	1"	43"	14
FSPN-3500-10	81"	56 1/2"	24"	48"	8 1/2"	38"	21 1/4"	25"	1"	43"	14

Dimensions for reference only. Certified drawings for exact dimensions are available upon request.

ORDER INFORMATION

Check appropriate boxes

Design Pressure: 100 PSIG 150 PSIG Other

Design Temperature (F°): Max _____ Min _____

Construction Material: Carbon Steel 304 Stainless Steel 316 Stainless Steel Other _____

Basket Materials: 304 Stainless Steel (Standard) 316 Stainless Steel Other _____

Gasket Material: BUNA N (Standard) Viton Neoprene EPDM Teflon Encapsulated Other _____

Lifting Mechanism: Hydraulic Hand Crank EZ Open Other

Options: Corr. Allowance _____ Coating _____