



MULTI-BAG

ORDER INFORMATION SHEET

FSPN-252

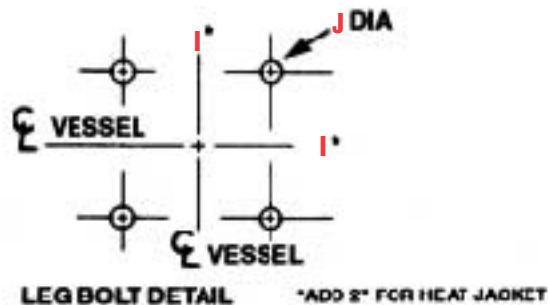
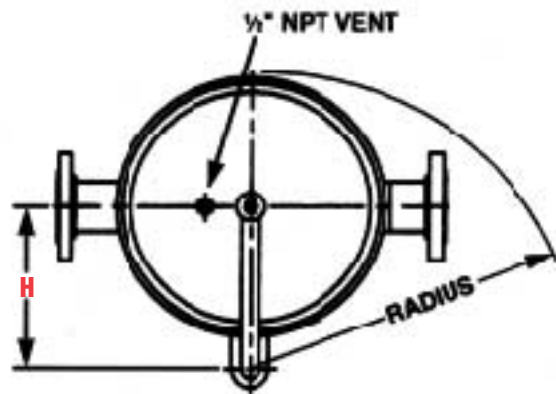
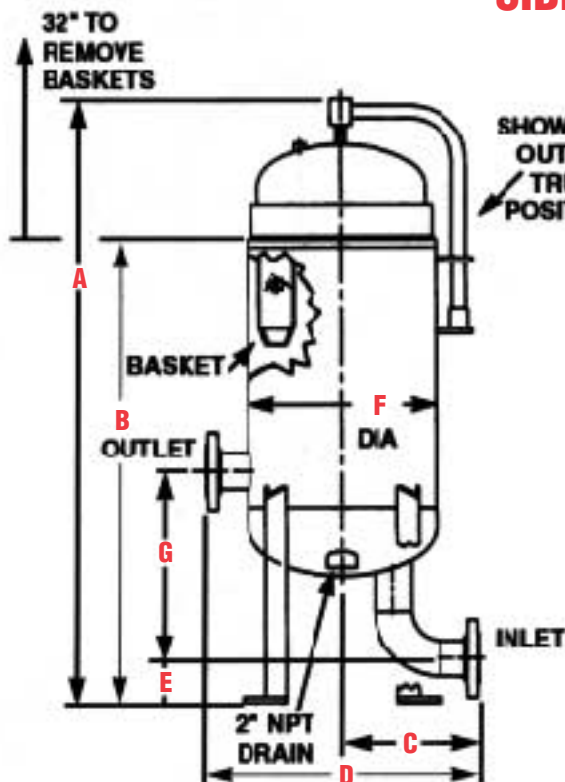
FSPN-355

FSPN-800

FILTER SPECIALISTS, INC.

100 Anchor Road P.O. Box 735 (46361) Michigan City, Indiana 46360
 219-879-3307 800-348-3205 Fax: 219-877-0632 www.fsifilters.com

SIDE OUT



Design: ASME Code Section VIII, Div I,
 FSPN 252: UM Stamp
 National Board

FSPN 355/800: U Stamp
 National Board

MODEL	A	B	C	D	E	F	G	H	I	J	RADIUS	NO. BAGS
FSPN-252-3	64"	45"	13"	26"	4 1/4"	18"	18"	11 1/4"	15 13/32"	17 1/32"	23 1/2"	2
FSPN-252-4	64"	45"	14"	28"	5"	18"	19"	11 1/4"	15 13/32"	17 1/32"	23 1/2"	2
FSPN-355-3	65 1/4"	45"	13"	26"	4 1/4"	20"	19"	12 1/4"	12 3/8"	1"	25 1/4"	3
FSPN-355-4	67"	47 1/4"	15"	30"	5"	20"	21"	12 1/4"	12 3/8"	1"	25 1/4"	3
FSPN-800-3	62 1/4"	43"	13"	29"	4 1/4"	22"	18"	13 1/4"	13 3/8"	1"	27 1/2"	4
FSPN-800-4	64 3/4"	45"	15"	31"	5"	22"	21"	13 1/4"	13 3/8"	1"	27 1/2"	4
FSPN-800-6	68 3/4"	49"	18"	34"	6"	22"	24"	13 1/4"	13 3/8"	1"	27 1/2"	4

Dimensions for reference only. Certified drawings for exact dimensions are available upon request.

ORDER INFORMATION

Check appropriate boxes

Design Pressure: 100 PSIG 150 PSIG Other

Design Temperature (F°): Max _____ Min _____

Construction Material: Carbon Steel 304 Stainless Steel 316 Stainless Steel Other _____

Basket Materials: 304 Stainless Steel (Standard) 316 Stainless Steel Other _____

Gasket Material: BUNA N (Standard) Viton Neoprene EPR Teflon Encapsulated Other _____

Lifting Mechanism: Hydraulic Hand Crank EZ Open Other

Options: Corr. Allowance _____



MULTI-BAG

ORDER INFORMATION SHEET

FSPN-252

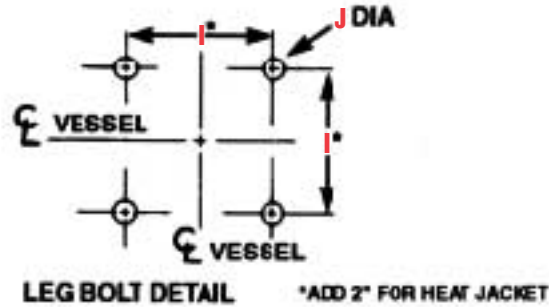
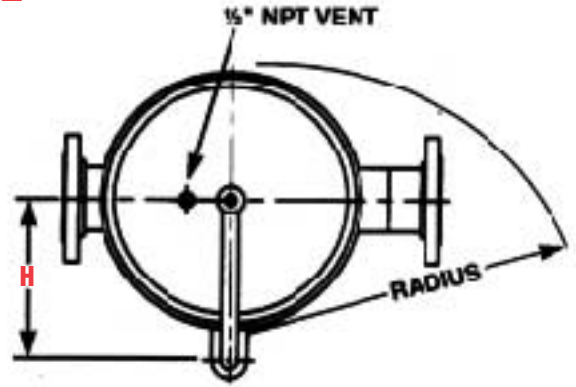
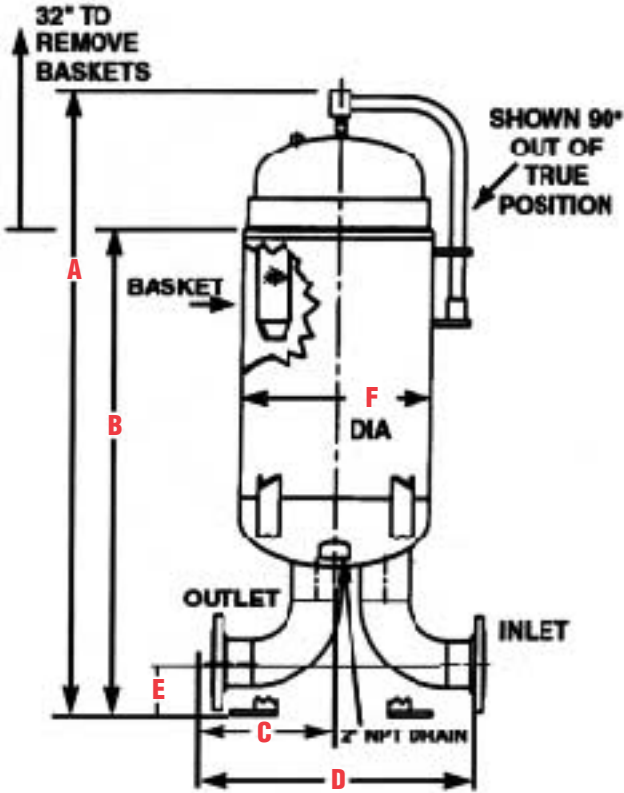
FSPN-355

FSPN-800

FILTER SPECIALISTS, INC.

100 Anchor Road P.O. Box 735 (46361) Michigan City, Indiana 46360
 219-879-3307 800-348-3205 Fax: 219-877-0632 www.fsifilters.com

INLINE



Design: ASME Code Section VIII, Div I,
 FSPN 252: UM Stamp
 National Board

FSPN 355/800: U Stamp
 National Board

MODEL	A	B	C	D	E	F	H	I	J	RADIUS	NO. BAGS
FSPN-252-3	64"	45"	13"	26"	4 1/4"	18"	11 1/4"	15 13/32"	17/32"	23 1/2"	2
FSPN-252-4	64"	45"	14"	28"	5"	18"	11 1/4"	15 13/32"	17/32"	23 1/2"	2
FSPN-355-3	65 1/4"	45"	13"	26"	4 1/4"	20"	12 1/4"	12 3/8"	1"	25 1/4"	3
FSPN-355-4	67"	47 1/4"	15"	28 1/2"	5"	20"	12 1/4"	12 3/8"	1"	25 1/4"	3
FSPN-800-3	62 1/4"	43"	13"	26"	4 1/4"	22"	13 1/4"	13 3/8"	1"	27 1/2"	4
FSPN-800-4	64 3/4"	45"	15"	30"	5"	22"	13 1/4"	13 3/8"	1"	27 1/2"	4
FSPN-800-6	68 3/4"	49"	18"	36"	6"	22"	13 1/4"	13 3/8"	1"	27 1/2"	4

Dimensions for reference only. Certified drawings for exact dimensions are available upon request.

ORDER INFORMATION Check appropriate boxes

Design Pressure: 100 PSIG 150 PSIG Other _____

Design Temperature (°F): Max _____ Min _____

Construction Material: Carbon Steel 304 Stainless Steel 316 Stainless Steel Other _____

Basket Materials: 304 Stainless Steel (Standard) 316 Stainless Steel Other _____

Gasket Material: BUNA N (Standard) Viton Neoprene EPDM Teflon Encapsulated Other _____

Lifting Mechanism: Hydraulic Hand Crank EZ Open Other _____

Options: Corr. Allowance _____ Coating _____